

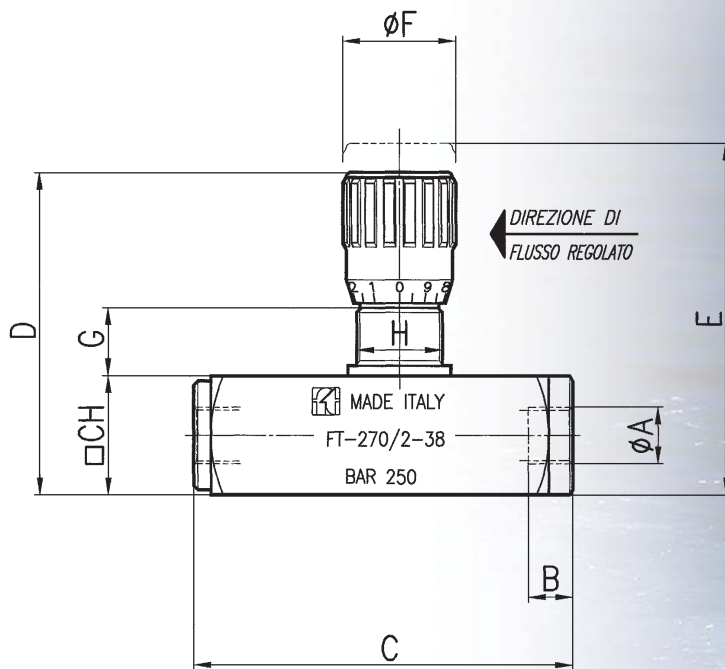


MATERIALS

BASE BODY	9 S MN PB 28 - UNI 5105
CARTRIDGE BODY	38 NI CR MO 4 UNI - EN 10083
COMPENSATING UNIT	NITRILE
O R	PTFE
ANTIEXTRUSION RING	GD - AL SI 12 - UNI 5706

EXAMPLE FOR ORDERING

	CODE	TYPE	ACCESSOIRES ON REQUEST	
			PANEL RING NUT	VITON SEAL
	FT 270/2	14	G	V
STAINLESS STEEL	FT 2270/2	14	G	V



DIMENSIONS

TYPE	Ø A UNI 338	B	C	D	E	Ø F	G	H	CH	WEIGHT KG
14	1/4" G	12,5	94	81,5	88,5	27	15	M20x1	30	0,580
38	3/8" G	13	110,5	94,5	103	33	17	M25x1,5	35	0,940
12	1/2" G	15,5	137	112	122	38	18	M30x1,5	45	1,830
34	3/4" G	17	163	138	150	47	24	M40x1,5	55	3,350
100	1" G	21	214	175	192	58	32	M50x1,5	70	7,000



DOUBLE-PORT PRESSURE COMPENSATED CONTROL VALVES

The compensated valves are made up of an adjustable orifice and of a pressure compensator piston. Inside they are equipped with wide transversal sections which reduce the loss of pressure. The accuracy of the component processing ensures a very low hysteresis. The accurate checks carried out on the products ensure a good working of the valves also in bad working conditions.

On request

- Fixing panel ring nut
- Viton seals (V)
- Version AISI 316 code FT 2270/2



FT 270/2



TECHNICAL DATA

TYPE	MAX WORKING PRESSURE BAR	MIN. ΔP WORKING BAR	WORKING TEMPERATURE C°	FILTRATION GRADE μM ABSOLUTE
1 4	250	5	-20°/+70°	25
3 8	250	7	-20°/+70°	25
1 2	250	10	-20°/+70°	25
3 4	250	10	-20°/+70°	25
1 0 0	250	16	-20°/+70°	25

