

FT2251/2-01



DOUBLE-ACTING CONTROL VALVES FEMALE-FEMALE

They allow the regulation of flow in both directions. Notable from an aesthetical point of view they are built with materials, which are suitable also for applications with fluids different from oil (such as: air, gas and liquids in general). The working pressure does not exceed 350 bar.

They have the same characteristics as the FT 2257 series:

- accurate flow regulation;
- efficient metallic sealing;
- simple setting of flow rates;
- secure against accidental needle withdrawal;
- secure needle position with locking screw inserted in the knob;
- provision for panel mounting, for which special lock nut (G) is supplied on request.

On request

- NPT threads
- ABS (mp)Knob

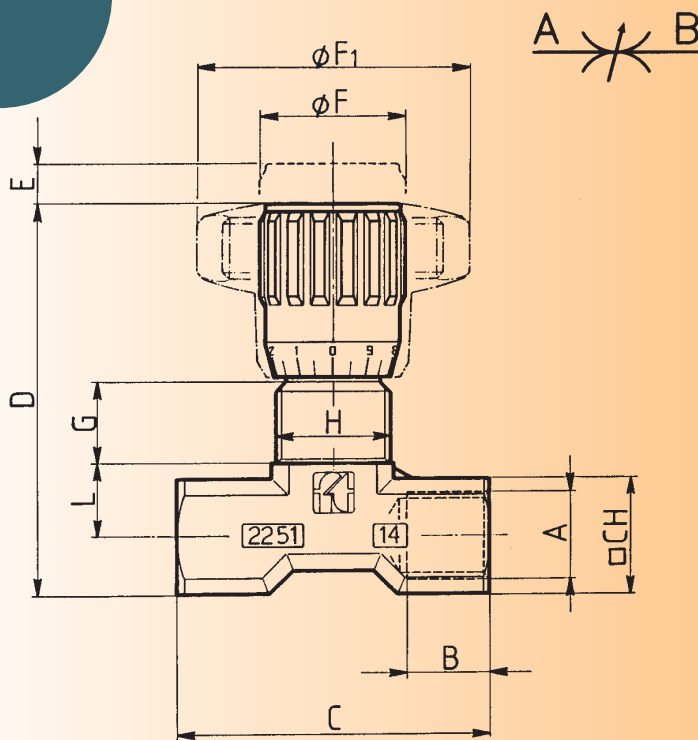
Complete with lock nut (G)

materials

Body	AISI 316 stainless steel
Needle	X 10 Cr Ni S 1809 - UNI 6900
OR	Viton
Antiextrusion ring	PTFE
Handwheel	GD Al Si 12 - UNI 5706
Handwheel (mp)	ABS

example for ordering

Code	Type	Lock nut	Plastic handwheel
FT 2251/2-01	12	G	mp



dimensions

Type	A UNI 338	B	C	D	E	ØF	ØF1	G	H	L	CH	Weight kg
18	1/8"G	8	40	55	4	22	40	12	M15x1	9,5	15	0,105
14	1/4"G	12	46	57	4,5	22	40	11,5	M17x1	11,5	18	0,122
38	3/8"G	13	55	69	7	27	50	12,5	M20x1	15	22	0,233
12	1/2"G	16	70	82	10	33	70	13	M25x1,5	19	27	0,455
34	3/4"G	20	91	100	12	38	80	15	M30x1,5	22	34	0,860

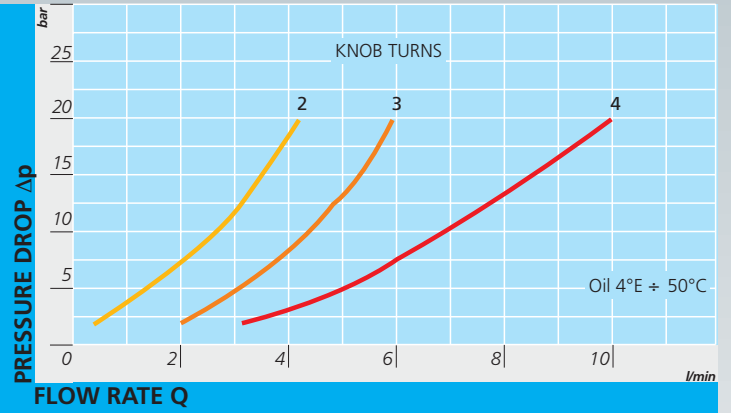
technical data

Type	Port section sq. mm	Max. working pressure bar	Working temperature °C	Filtration grade µm
18	7,07	350	-20° / +130°C	25
14	12,57	350	-20° / +130°C	25
38	19,64	350	-20° / +130°C	25
12	50,27	350	-20° / +130°C	25
34	78,54	350	-20° / +130°C	25

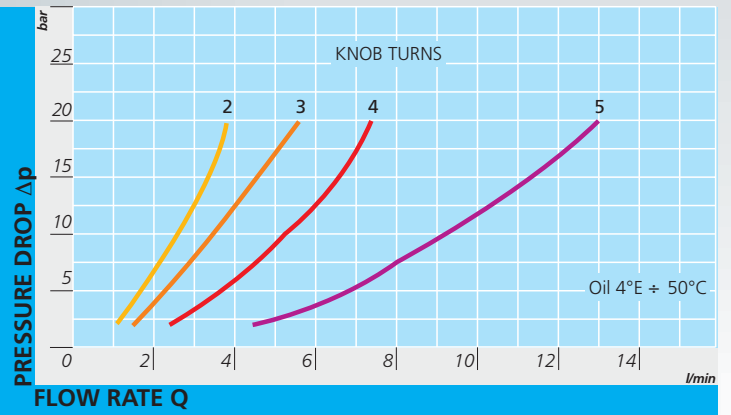
flowrate



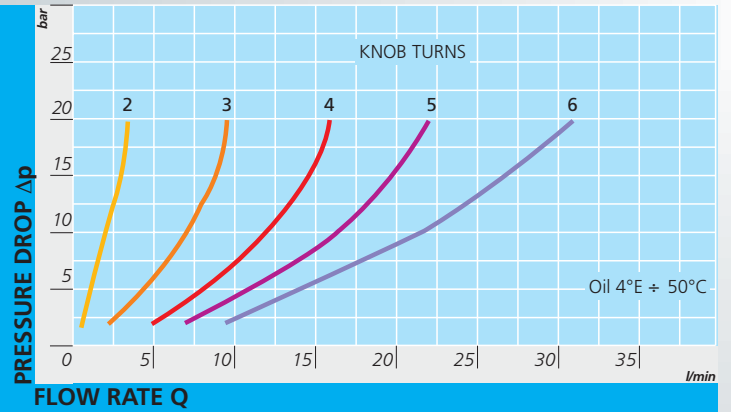
FT 2251/2-01-18



FT 2251/2-01-14



FT 2251/2-01-38



curves

