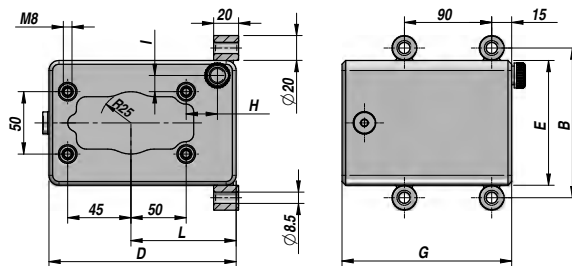
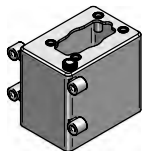


PM

SERBATOIO PER POMPA A MANO (TIPO PAM-T E PAM-TD)
TANK FOR HAND PUMP (PAM-T / PAM-TD TYPE)
TANK FÜR HANDPUMPE (TYP PAM-T / PAM-TD)

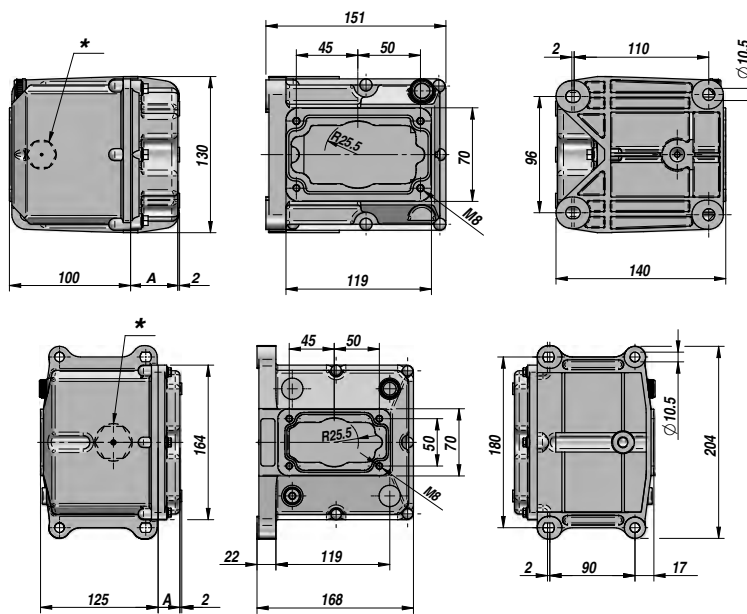
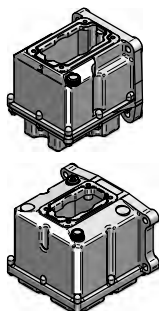


Codice Code Bestell-Nr.	Capacità Capacity Inhalt	B	D	E	G	H	I	L	Montaggio Mounting Montage	kg
PM00220001	lt 1	120	150	100	120	24	12	90		2,00
PM00220002	lt 2	120	150	100	180	24	12	90	N°4 fori holes Bohrungen	2,20
PM00220003	lt 3	120	150	100	247	24	12	90		2,50
PM00220005	lt 5	195	175	175	200	42	45	110		4,50
PM00220007	lt 7	195	175	175	269	42	45	110		5,40
PM00220010	lt 10	195	175	175	376	42	45	110		6,80

MATERIALE - MATERIAL: ACCIAIO - STEEL - STAHL

PMSR

SERBATOIO PER POMPA A MANO (TIPO PAM-T E PAM-TD)
TANK FOR HAND PUMP (PAM-T / PAM-TD TYPE)
TANK FÜR HANDPUMPE (TYP PAM-T / PAM-TD)



PMSR01 (Lt.1)

PMSR02 (Lt.2)
PMSR03 (Lt.3)
PMSR05 (Lt.5)

Codice Code Bestell-Nr.	Capacità Capacity Inhalt	A	*Indicatore di livello *Level Indicator *Standanzeiger BSP	Montaggio Mounting Montage	kg
PMSR01AL00	lt 1	40	-		1,50
PMSR01AL01	lt 1	40	1/2"		1,50
PMSR02AL00	lt 2	25	-		1,50
PMSR02AL01	lt 2	25	1/2"	N°4 fori holes Bohrungen	1,50
PMSR03AL00	lt 3	70	-		1,60
PMSR03AL01	lt 3	70	1/2"	Ø10,5 mm	1,60
PMSR05AL00	lt 5	180	-		1,80
PMSR05AL01	lt 5	180	1/2"		1,80

* A RICHIESTA - ON REQUEST - AUF ANFRAGE

MATERIALE - MATERIAL: ALLUMINIO + ABS - ALUMINIUM + ABS - ALUMINIUM + ABS