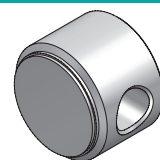
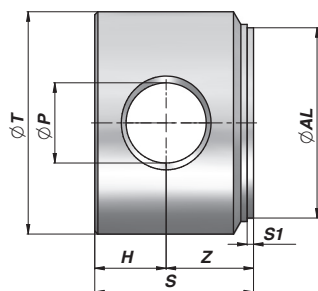


FONDELLO CON FORO
 END-PLUG WITH HOLE
 ZYLINDERBODEN MIT BOHRUNG

CFO

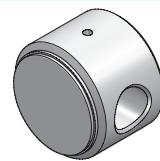
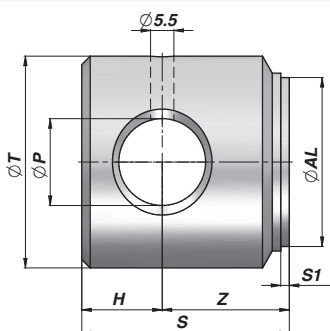


Codice Code Bestell-Nr.	ØAL	ØT	ØP	Z	H	S	S1	kg	Confezione Box Verpackung	Pz Pcs Stk
CF04005016	40	50	16,20	20	15	35	2	0,42	Z50CF04005016	50
CF05006020	50	60	20,25	25	20	45	2	0,80	Z20CF05006020	20
CF06007025	60	70	25,25	27,5	22,5	50	2	1,20	Z20CF06007025	20
CF07008025	70	80	25,25	27,5	22,5	50	2	1,60	Z10CF07008025	10
CF08009530	80	95	30,25	35	25	60	2	2,70	Z05CF08009530	5
CF10011535	100	115	35,25	40	30	70	2	4,70	Z05CF10011535	5

MATERIALE - MATERIAL:
 ACCIAIO - STEEL - STAHL S355J0 (Fe510C) - S355JR (A105)

FONDELLO CON FORO
 END-PLUG WITH HOLE
 ZYLINDERBODEN MIT BOHRUNG

CFHR



Codice Code Bestell-Nr.	ØAL	ØT	ØP	Z	H	S	S1	kg	Confezione Box Verpackung	Pz Pcs Stk
CFHR035025	25	35	12,10	18	12	30	2	0,18	Z00CFHR035025	100
CFHR040032	32	40	16,00	23	17	40	2	0,32	Z50CFHR040032	50
NEW! CFHR040020040	40	50	20,25	22	18	40	2	0,50	Z25CFHR040020040	25
CFHR050040	40	50	20,50	30	19	49	2	0,60	Z25CFHR050040	25
NEW! CFHR050025049	50	60	25,25	27	22	49	2	0,80	Z12CFHR050025049	12
CFHR060050	50	60	25,50	45	25	70	2	1,28	Z12CFHR060050	12
NEW! CFHR060025047	60	70	25,25	25	22	47	2	1,10	Z12CFHR060025047	12
CFHR070060	60	70	25,50	27	25	52	2	1,25	Z12CFHR070060	12
NEW! CFHR070030063	70	80	30,25	35	28	63	2	2,00	Z10CFHR070030063	10
CFHR080070	70	80	30,50	37	25	62	2	1,94	Z10CFHR080070	10
NEW! CFHR080030060	80	90	30,25	32	28	60	2	2,40	Z05CFHR080030060	5
CFHR090080	80	90	30,50	37	25	62	2	2,52	Z05CFHR090080	5
NEW! CFHR100030063	100	115	30,25	35	28	63	2	4,40	Z05CFHR100030063	5
CFHR115100	100	115	30,50	36	34	70	2	4,90	Z05CFHR115100	5

MATERIALE - MATERIAL:
 ACCIAIO - STEEL - STAHL S355J0 (Fe510C) - S355JR (A105)