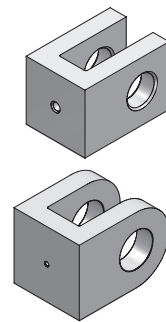
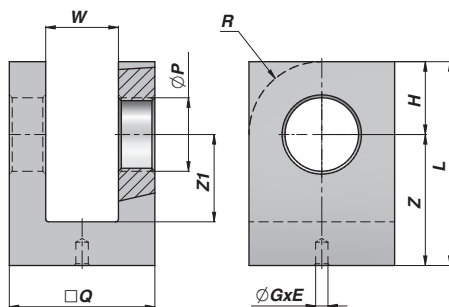


FORCELLA A SILDARE
WELDABLE FORK
SCHWEISSBARE GABEL

CFS

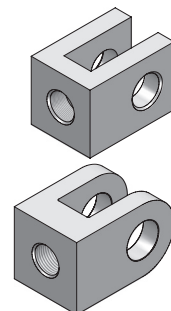
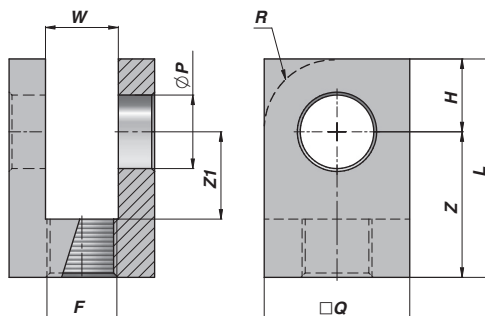


Codice Code Bestell-Nr.	ØP	□Q	W	Z	Z1	H	L	R	ØGxE	kg
CFS0000016	16,20	35	16	34	24	16	50	-	Ø 4,25 x 6	0,27
CFS0000020	20,25	40	20	40	30	20	60	-	Ø 4,25 x 6	0,38
CFS0000025	25,25	50	25	45	30	25	70	-	Ø 4,25 x 8	0,71
CFS0000030	30,25	60	30	50	35	30	80	30	Ø 4,25 x 8	1,10
CFS0000035	35,25	70	35	55	40	35	90	35	Ø 4,25 x 8	1,60
NEW! CFS0000040	40,25	80	40	70	50	40	110	40	Ø 4,25 x 10	2,70

MATERIALE - MATERIAL:
ACCIAIO - STEEL - STAHL S355J0 (Fe510C)

FORCELLA FILETTATA
THREADED FORK
GABEL MIT GEWINDE

CFF



Codice Code Bestell-Nr.	ØP	□Q	W	Z	Z1	H	L	R	F	kg
CFF0161615	16,20	35	16	39	24	16	55	-	M16x1,5	0,30
CFF0202015	20,25	40	20	45	30	20	65	-	M20x1,5	0,40
CFF0252420	25,25	50	25	50	30	25	75	-	M24x2	0,75
CFF0303020	30,25	60	30	65	35	30	95	30	M30x2	1,46
CFF0353320	35,25	70	35	75	40	35	110	35	M33x2	1,67
NEW! CFF0403320	40,25	80	40	85	50	40	125	40	M33x2	3,20

MATERIALE - MATERIAL:
ACCIAIO - STEEL - STAHL S355J0 (Fe510C)