



Rubinetterie Italiane Velatta SpA

————— since 1950 —————

» **YOU need the BEST**

Export[®]

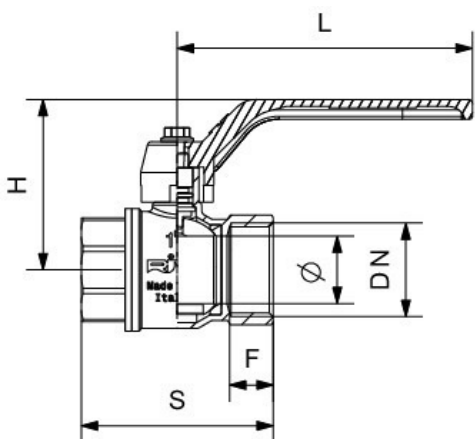
Series



RIV 4170

Ball valve F/F
full bore
aluminium lever handle

» Tech drawings and tables



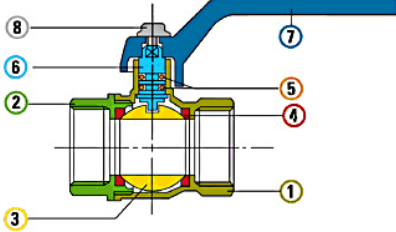
DN	Code	Ø	H	S	L	F	PN	KG	P/box
1/4"	024170000002	8	46	38	80	10	40	0,093	50
3/8"	024170000003	10	48	42	80	11	40	0,112	50
1/2"	024170000004	14,5	50	48	80	13	40	0,142	30
3/4"	024170000005	19	57	57	90	14	32	0,240	10
1"	024170000007	24	60	69	90	16,5	32	0,376	10
1"1/4	024170000008	30,5	73	79	120	18	25	0,572	8
1"1/2	024170000009	37	86	89	135	19	25	0,831	6
2"	024170000011	47	98	109	160	22,5	25	1,339	4
2"1/2	024170000013	60	110	126	160	23	25	2,040	1
3"	024170000014	75	148	147	265	25	16	3,428	1
4"	024170000016	94	163	177	265	29	16	5,856	1

» Approvals



» Technical data

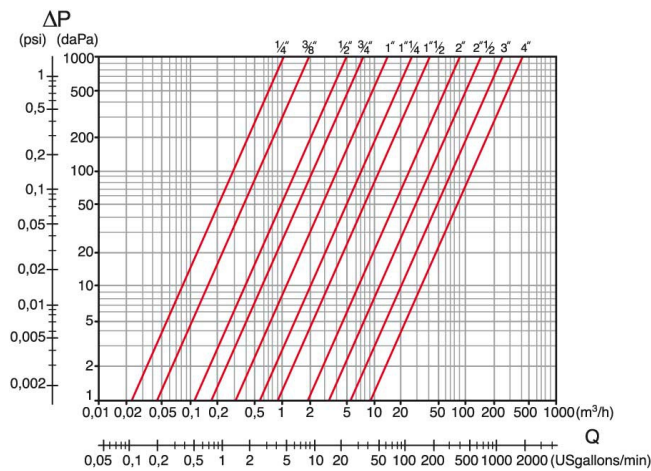
Art. 4170



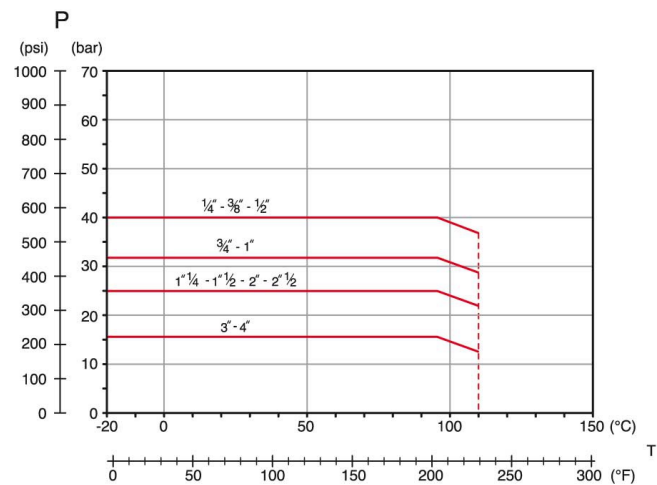
Materials				
1	Body	Brass	CW617N	Nickel-plated
2	Body end	Brass	CW617N	Nickel-plated
3	Ball	Brass	CW617N	Chrome-plated
4	Seats	P.T.F.E.		
5	O-Ring	NBR		
6	Stem	Brass	CW614N	
7	Lever	Aluminium		
8	Screw	Steel		Zinc-plated

Connections	ISO 228/1, ANSI B1.20.1 (NPT)
Limit	-20°C (without liquid) +110°C
Notes	The max.working pressure (PN) means at a room temperature of about 23°C.

» Pressure Loss Chart



» Temperature/Pressure



» Kv & Cv Coefficients

Size	Kv	Cv
1/4"	3,6	4,2
3/8"	6,6	76,0
1/2"	16,5	19,1
3/4"	25,0	29,0
1"	46,0	53,0
1 1/4"	87,0	101,0

1" 1/2	140,0	162,0
2"	275,0	318,0
2" 1/2	500,0	578,0
3"	850,0	983,0
4"	1350,0	1562,0

OtherProducts



RIV 4170

Ball valve F/F
full bore
aluminium lever handle



RIV 4171

Ball valve F/F
full bore
steel lever handle



RIV 4172

Ball valve F/F
NPT threads
full bore
steel lever handle



RIV 4173

Ball valve F/F
NPT threads
full bore
aluminium sealing butterfly handle



RIV 4174

Ball valve F/F
full bore
aluminium sealing butterfly handle



RIV 4330

Ball valve M/F
full bore
aluminium lever handle



RIV 4331

Ball valve M/F
full bore
steel lever handle



RIV 4334

Ball valve M/F
full bore
aluminium sealing butterfly handle



RIV 4574

Ball valve M/F with hose-union
full bore
aluminium sealing butterfly handle



RIV 4600

Ball valve with compression ends
for copper pipe
full bore
red steel lever handle



RIV 4601

Ball valve with compression ends
for copper pipe
full bore
blue steel lever handle