



Rubinetterie Italiane Velatta SpA

————— since 1950 —————

» **YOU need the BEST**

Export<sup>®</sup>

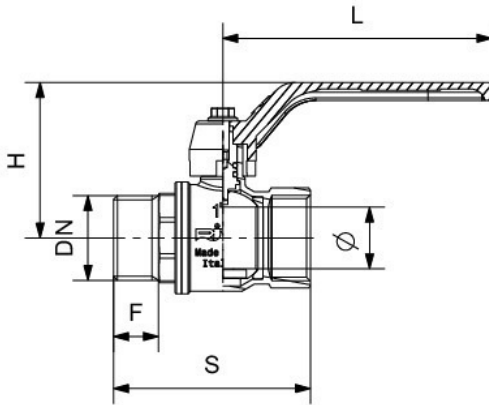
Series



## RIV 4330

Ball valve M/F  
full bore  
aluminium lever handle

### » Tech drawings and tables



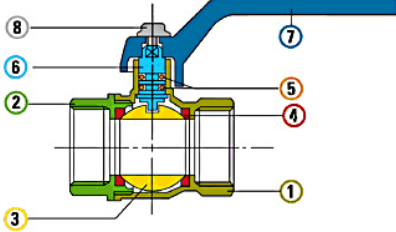
DN	Code	Ø	H	S	L	F	PN	KG	P/box
1/4"	024330000002	8	46	45	80	10,5	40	0,099	50
3/8"	024330000003	10	48	48	80	10,5	40	0,121	50
1/2"	024330000004	14,5	50	55	80	13	40	0,151	30
3/4"	024330000005	19	57	65	90	14	32	0,251	10
1"	024330000007	24	60	77	90	17	32	0,383	10
1"1/4	024330000008	30,5	73	87	120	17	25	0,630	8
1"1/2	024330000009	37	86	101	135	19	25	0,905	6
2"	024330000011	47	98	117	160	21	25	1,434	4
2"1/2	024330000013	60	110	136	160	30	25	2,103	1
3"	024330000014	75	148	157	265	33	16	3,527	1
4"	024330000016	94	163	189	265	40	16	6,096	1

### » Approvals



» Technical data

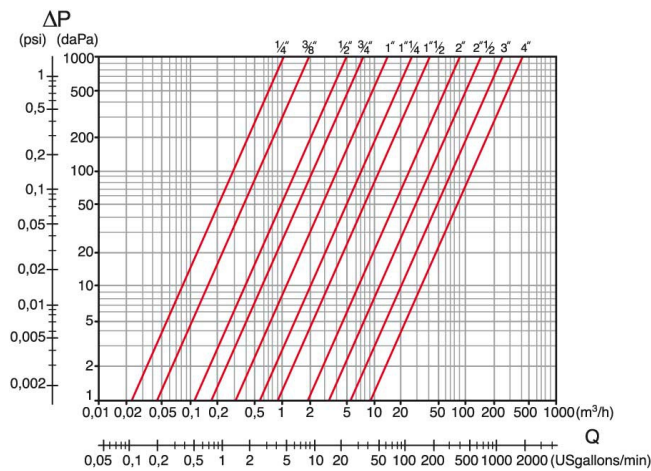
Art. 4170



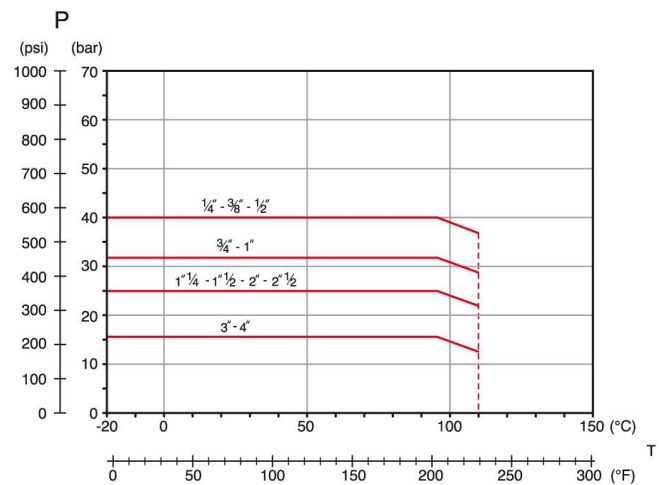
Materials				
1	Body	Brass	CW617N	Nickel-plated
2	Body end	Brass	CW617N	Nickel-plated
3	Ball	Brass	CW617N	Chrome-plated
4	Seats	P.T.F.E.		
5	O-Ring	NBR		
6	Stem	Brass	CW614N	
7	Lever	Aluminium		
8	Screw	Steel		Zinc-plated

Connections	ISO 228/1, ANSI B1.20.1 (NPT)
Limit	-20°C (without liquid) +110°C
Notes	The max.working pressure (PN) means at a room temperature of about 23°C.

» Pressure Loss Chart



» Temperature/Pressure



» Kv & Cv Coefficients

Size	Kv	Cv
1/4"	3,6	4,2
3/8"	6,6	76,0
1/2"	16,5	19,1
3/4"	25,0	29,0
1"	46,0	53,0
1 1/4"	87,0	101,0

1" 1/2	140,0	162,0
2"	275,0	318,0
2" 1/2	500,0	578,0
3"	850,0	983,0
4"	1350,0	1562,0

## OtherProducts



### RIV 4170

Ball valve F/F  
full bore  
aluminium lever handle



### RIV 4171

Ball valve F/F  
full bore  
steel lever handle



### RIV 4172

Ball valve F/F  
NPT threads  
full bore  
steel lever handle



### RIV 4173

Ball valve F/F  
NPT threads  
full bore  
aluminium sealing butterfly handle



### RIV 4174

Ball valve F/F  
full bore  
aluminium sealing butterfly handle



### RIV 4330

Ball valve M/F  
full bore  
aluminium lever handle



### RIV 4331

Ball valve M/F  
full bore  
steel lever handle



### RIV 4334

Ball valve M/F  
full bore  
aluminium sealing butterfly handle



### RIV 4574

Ball valve M/F with hose-union  
full bore  
aluminium sealing butterfly handle



### RIV 4600

Ball valve with compression ends  
for copper pipe  
full bore  
red steel lever handle



**RIV 4601**

Ball valve with compression ends  
for copper pipe  
full bore  
blue steel lever handle