



Rubetterie Italiane Velatta SpA

————— since 1950 —————

» **YOU need the BEST**



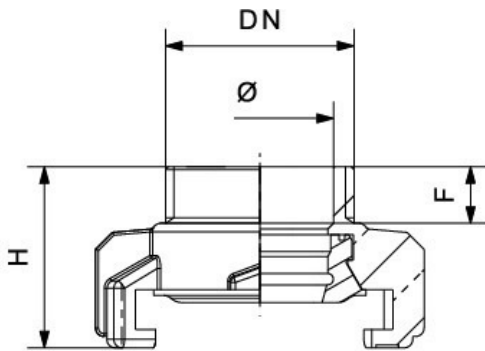
**Series**



## RIV 3301

Male bayonet fastening

### » Tech drawings and tables

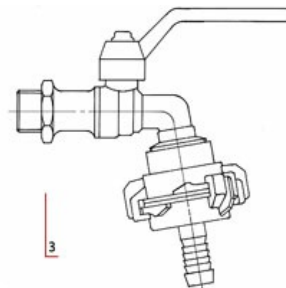
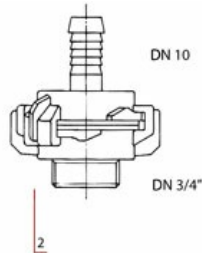
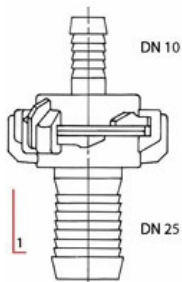


DN	Code	Ø	H	F	PN	KG	P/box
1/2"	033301000004	15	32	10	16	0,089	10
3/4"	033301000005	20	32	10	16	0,094	10
1"	033301000007	24	32	10	16	0,093	10
1"1/4	033301000008	24	41	17	16	0,136	10
1"1/2	033301000009	24	41	17	16	0,163	10

### » Advantages

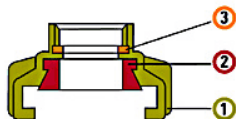
The "SWIFT" bayonet fastenings feature the same bayonet coupling for all sizes.

Therefore couplings of different dimensions, with hose-connections or threaded ones, from 1/2" to 1 1/2" (see drawings) can be joined very simply and safely, composing the required connection or reduction according to needs.



» Technical data

Art. 3300



Materials			
1	Body	Brass	CW617N
2	Gasket	NBR	
3	Gasket	NBR	

Connections	ISO 228/1
Limit	-10°C (without liquid) +90°C
Notes	The max. working pressure (PN) means at a room temperature of about 23°C.

» OtherProducts



**RIV 3300**

Female bayonet fastening



**RIV 3301**

Male bayonet fastening



**RIV 3302**

Bayonet fastening with hose-connection



**RIV 3303**

Plug for bayonet fastening



**RIV 3320**

Three-way fitting F/M/M