



Rubinetterie Italiane Velatta SpA

————— since 1950 —————

» **YOU need the BEST**

**PROFESSIONAL**

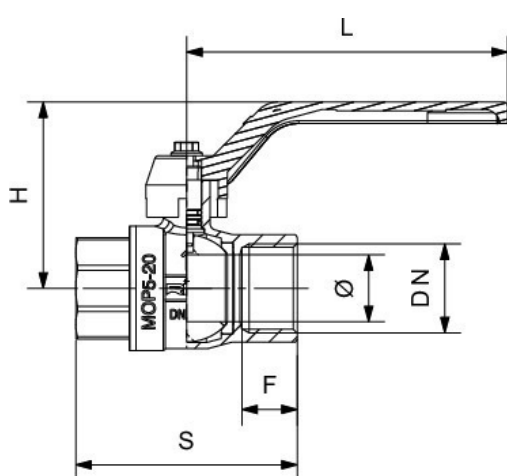
**Series**



## RIV 4190

Ball valve F/F  
full bore  
aluminium lever handle

### » Tech drawings and tables



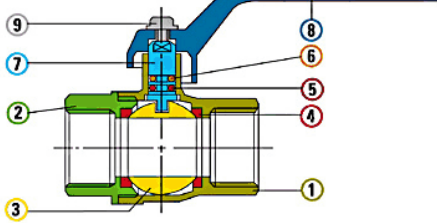
DN	Code	Ø	H	S	L	F	PN	KG	P/box
1/4"	02419000002	10	48	45	80	12,5	64	0,118	30
3/8"	02419000003	10	48	45	80	12,5	64	0,121	30
1/2"	02419000004	15	55	59	90	17	64	0,220	10
3/4"	02419000005	20	66	69	120	18	40	0,354	10
1"	02419000007	25	70	83	120	22	40	0,552	10
1"1/4	02419000008	32	83	94	135	24	40	0,856	6
1"1/2	02419000009	40	93	102	160	24	40	1,147	4
2"	02419000011	50	102	124	160	28	40	1,751	4
2"1/2	02419000013	65	143	148	265	30	40	3,460	1
3"	02419000014	80	153	171	265	33	32	5,119	1
4"	02419000016	100	172	206	265	40	25	8,060	1

### » Approvals



» Technical data

Art. 4190



Materials				
1	Body	Brass	CW617N	Nickel-plated
2	Body end	Brass	CW617N	Nickel-plated
3	Ball	Brass	CW617N	Chrome-plated
4	Seats	P.T.F.E.		
5	O-Ring	FKM		
6	O-Ring	NBR		
7	Stem	Brass	CW614N	
8	Lever	Aluminium		
9	Screw	Steel		Zinc-plated

Connections

F: EN 10226 Rp (parallel), EN 10226 Rc (taper), ANSI B1.20.1 (NPT)  
M: EN 10226 R (taper)

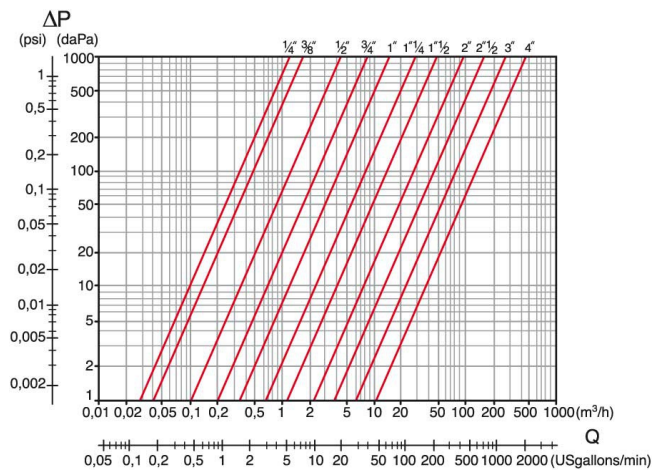
Limit

-20°C (without liquid) +150°C

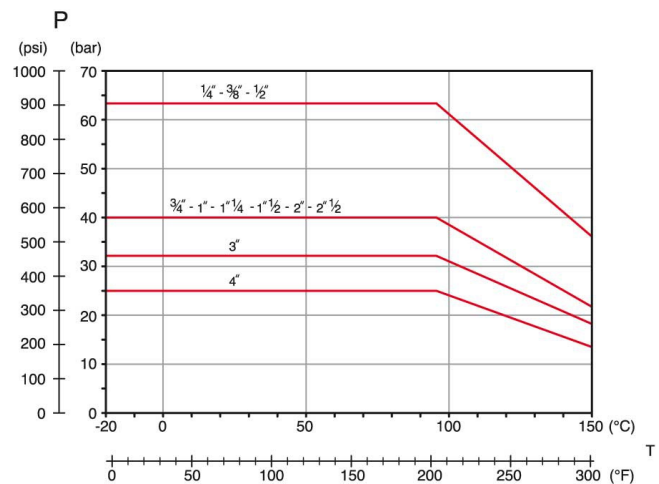
Notes

The max.working pressure (PN) means at a room temperature of about 23°C.

» Pressure Loss Chart



» Temperature/Pressure



» Kv & Cv Coefficients

Size	Kv	Cv
1/4"	4,1	4,7
3/8"	6,3	7,3
1/2"	15,5	17,9
3/4"	31,0	36,0
1"	52,0	60,0

» RIV Rubinerterie Italiane Velatta S.p.A  
Via delle Acacie 8 Zona Industriale D4  
P. O.Box 64  
28075 GRIGNASCO (NO) ITALY  
Tel +39 0163 4151  
Fax +39 0163 411914

» Capitale sociale € 516.000 i.v.  
Reg. Imprese di Novara N° 00469610026  
R.E.A. di Novara N° 170397  
Numero Meccanografico N0009263  
Codice Fiscale 00469610026  
Partita IVA IT 01399720034

» E-mail riv-vg@riv-vg.com  
vendite.italia@riv-vg.com  
export.sales@riv-vg.com  
Web www.riv-vg.com



1"1/4	100,0	116,0
1"1/2	180,0	206,0
2"	350,0	405,0
2"1/2	350,0	671,0
3"	1000,0	1157,0
4"	1550,0	1793,0

OtherProducts



**RIV 4190**

Ball valve F/F  
full bore  
aluminium lever handle



**RIV 4192**

Ball valve F/F  
EN 10226-2 Rc (BSPT)  
thread  
full bore  
steel lever handle



**RIV 4194**

Ball valve F/F  
full bore  
aluminium sealing  
butterfly handle



**RIV 4195**

Ball valve F/F  
full bore  
brass square cap



**RIV 4196**

Ball valve F/F  
full bore  
T-Lock brass sealing  
tamperproof cap and  
cover cap



**RIV 4197**

Ball valve F/F  
full bore  
brass sealing cap



**RIV 4198**

Ball valve F/F  
full bore  
Extra-Lock brass sealing  
tamperproof cap



**RIV 4199**

Ball valve F/F  
full bore  
insulation extension and  
aluminium lever handle



**RIV 4350**

Ball valve M/F  
full bore  
aluminium lever handle



**RIV 4354**

Ball valve M/F  
full bore  
aluminium sealing  
butterfly handle



Rubinerie Italiane Velatta SpA

since 1950

» YOU need the BEST

PROFESSIONAL



**RIV 4355**

Ball valve M/F  
full bore  
brass square cap



**RIV 4356**

Ball valve M/F  
full bore  
T-Lock brass sealing  
tamperproof cap and  
cover cap



**RIV 4357**

Ball valve M/F  
full bore  
brass sealing cap



**RIV 4358**

Ball valve M/F  
full bore  
Extra-Lock brass sealing  
tamperproof cap



**RIV 4420**

Ball valve M/M  
full bore  
aluminium lever handle



**RIV 4424**

Ball valve M/M  
full bore  
aluminium sealing  
butterfly handle



**RIV 4425**

Ball valve M/M  
full bore  
brass square cap



**RIV 4427**

Ball valve M/M  
full bore  
brass sealing cap

