



Rubetterie Italiane Velatta SpA

————— since 1950 —————

» **YOU need the BEST**

PROFESSIONAL

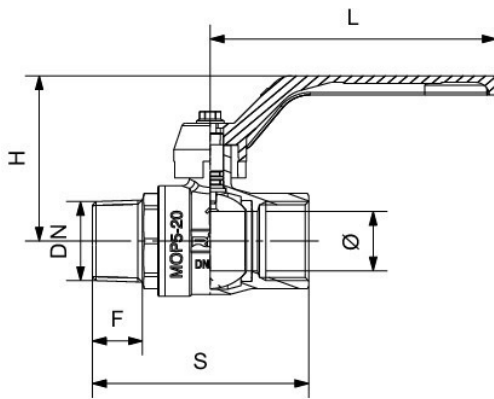
Series



RIV 4350

Ball valve M/F
full bore
aluminium lever handle

» Tech drawings and tables

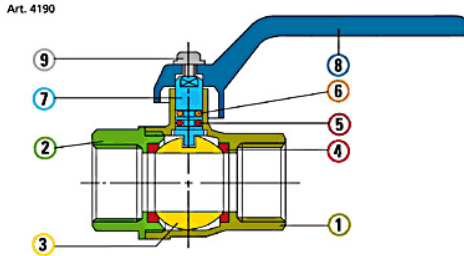


DN	Code	Ø	H	S	L	F	PN	KG	P/box
3/8"	024350000003	10	48	52	80	13,5	64	0,127	30
1/2"	024350000004	15	55	66	90	16	64	0,231	10
3/4"	024350000005	20	66	76	120	17,5	40	0,371	10
1"	024350000007	25	70	91	120	21	40	0,583	10
1"1/4"	024350000008	32	83	101	135	22,5	40	0,894	6
1"1/2"	024350000009	40	93	113	160	22,5	40	1,200	4
2"	024350000011	50	102	134	160	26,5	40	1,873	4
2"1/2"	024350000013	65	143	164	265	30	40	3,781	1
3"	024350000014	80	153	187	265	33	32	5,223	1
4"	024350000016	100	172	221	265	40	25	8,311	1

» Approvals



» Technical data



Materials				
1	Body	Brass	CW617N	Nickel-plated
2	Body end	Brass	CW617N	Nickel-plated
3	Ball	Brass	CW617N	Chrome-plated
4	Seats	P.T.F.E.		
5	O-Ring	FKM		
6	O-Ring	NBR		
7	Stem	Brass	CW614N	
8	Lever	Aluminium		
9	Screw	Steel		Zinc-plated

Connections

F: EN 10226 Rp (parallel), EN 10226 Rc (taper), ANSI B1.20.1 (NPT)
M: EN 10226 R (taper)

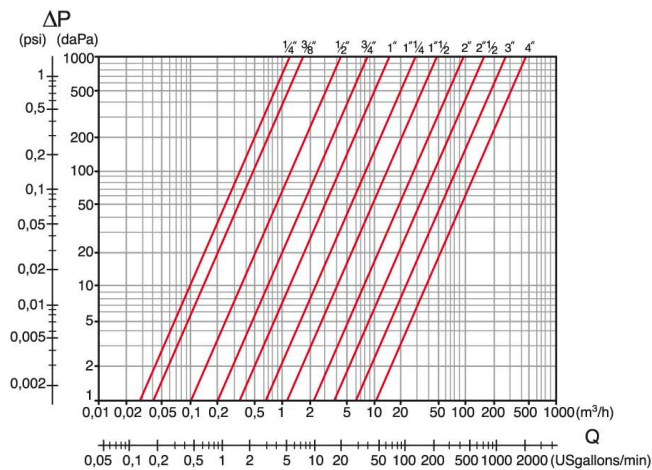
Limit

-20°C (without liquid) +150°C

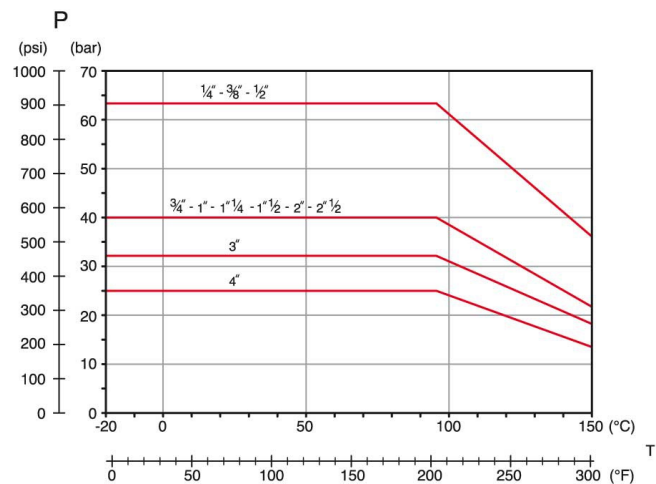
Notes

The max.working pressure (PN) means at a room temperature of about 23°C.

» Pressure Loss Chart



» Temperature/Pressure



» Kv & Cv Coefficients

Size	Kv	Cv
1/4"	4,1	4,7
3/8"	6,3	7,3
1/2"	15,5	17,9
3/4"	31,0	36,0
1"	52,0	60,0



1"1/4	100,0	116,0
1"1/2	180,0	206,0
2"	350,0	405,0
2"1/2	350,0	671,0
3"	1000,0	1157,0
4"	1550,0	1793,0

OtherProducts



RIV 4190

Ball valve F/F
full bore
aluminium lever handle



RIV 4192

Ball valve F/F
EN 10226-2 Rc (BSPT)
thread
full bore
steel lever handle



RIV 4194

Ball valve F/F
full bore
aluminium sealing
butterfly handle



RIV 4195

Ball valve F/F
full bore
brass square cap



RIV 4196

Ball valve F/F
full bore
T-Lock brass sealing
tamperproof cap and
cover cap



RIV 4197

Ball valve F/F
full bore
brass sealing cap



RIV 4198

Ball valve F/F
full bore
Extra-Lock brass sealing
tamperproof cap



RIV 4199

Ball valve F/F
full bore
insulation extension and
aluminium lever handle



RIV 4350

Ball valve M/F
full bore
aluminium lever handle



RIV 4354

Ball valve M/F
full bore
aluminium sealing
butterfly handle



Rubinetterie Italiane Velatta SpA

since 1950

» YOU need the BEST

PROFESSIONAL



RIV 4355

Ball valve M/F
full bore
brass square cap



RIV 4356

Ball valve M/F
full bore
T-Lock brass sealing
tamperproof cap and
cover cap



RIV 4357

Ball valve M/F
full bore
brass sealing cap



RIV 4358

Ball valve M/F
full bore
Extra-Lock brass sealing
tamperproof cap



RIV 4420

Ball valve M/M
full bore
aluminium lever handle



RIV 4424

Ball valve M/M
full bore
aluminium sealing
butterfly handle



RIV 4425

Ball valve M/M
full bore
brass square cap



RIV 4427

Ball valve M/M
full bore
brass sealing cap

