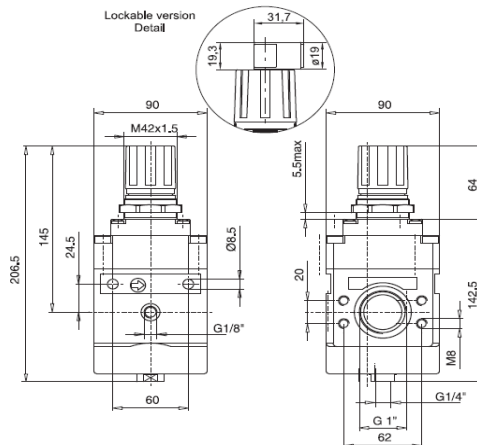




Pressure regulator



Ordering code

17402NB.C.C

ADJUSTING RANGE

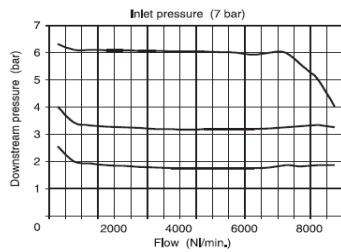
- A = 0 - 2 bar
- C** = 0 - 4 bar
- B = 0 - 4 bar
- C = 0 - 8 bar
- D = 0 - 12 bar

OPTION

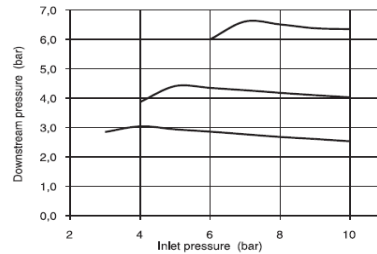
- C** = Standard (without options)
- K = Lockable version

Example: 17402NB.C
Pressure regulator with G 1" connections, adjusting range 0 - 8 bar with relieving.

Flow rate curves



Adjustment characteristics



Operating Characteristics

- Sensitivity combined with high relieving rates.
- High flow rate with extremely low pressure drop.
- Body made with light alloy.
- Two pressure gauge connections with plug complete of seal.
- Ring nut for panel mounting.

Technical characteristics

Connections	G 1"
Max working pressure (bar)	13 bar - 1,3 MPa
Temperature °C	50°C
Pressure gauge connections	G 1/8"
Weight	gr. 1900
Pressure range (bar)	0 - 2 / 0 - 4 / 0 - 8 / 0 - 12
Assembly position	Any
Wall fixing screw	M8