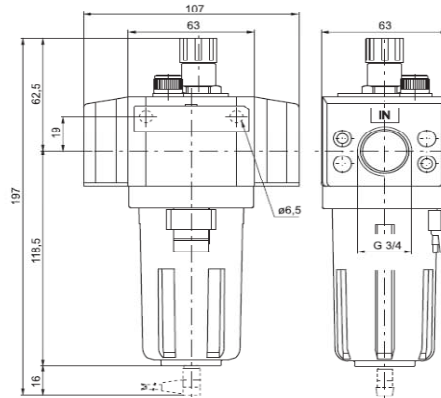




Lubricator (G 3/4")



Ordering code

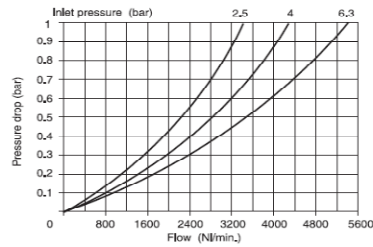
17303E.1

- TYPE
- MA = Min. oil level indicator N.O. with plug connector
 - MC = Min. oil level indicator N.C. with plug connector

Example: 17303E : Lubricator size 3 with G 3/4" connections.

Note: on the MA version the contact is open when oil is present; on the MC version the contact is closed when oil is present

Flow rate curves



Operating Characteristics

- Fog type lubrication with variable section orifice according to the flow.
- Body made with light alloy.
- Flange made with light alloy.
- Wall mounting possibility with M6 screws protected by covers.
- Transparent technopolymer bowl with shock resistant technopolymer protection.
- Possibility to see the min. and max. level on 360° also with bowl protection assembled.
- Bowl assembled to the body with bayonet cap and safety button.
- Transparent technopolymer sight dome with adjusting handle.
- Oil filling plug.
- Electrical connector for low level indication.
- Use the C1, C2 or C3 lead for connection (see chapter 6 "Sensors").

Technical characteristics

Connections	G 3/4"
Max working pressure (bar)	13 bar - 1,3 MPa
Temperature °C	-5 °C - 50°C
Weight	gr. 435
Indicative oil drip rate	1 drop every 300/600 NI
Oil type	FD22 - HG32
Bowl capacity	62 cm ³
Assembly position	Vertical
Wall fixing screw	M6
Min. operational flow at 6.3 bar	20 NI/min
Max. fittings torque	40 Nm