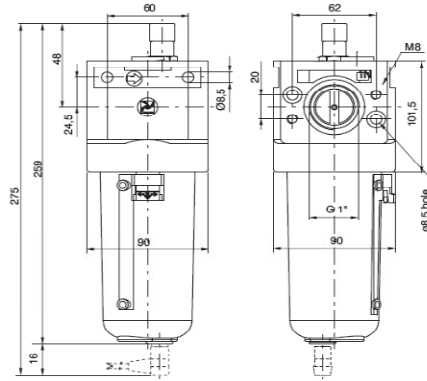




Lubricator



Ordering code

17403B.1

TYPE

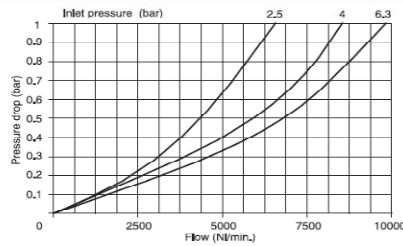
- MA = Min. oil level indicator N.O. with plug connector
- MC = Min. oil level indicator N.C. with plug connector

Example: 17403B

Lubricator size 4 with G 1" connections.

Note: on the MA version the contact is open when oil is present; on the MC version the contact is closed when oil is present

Flow rate curves



Operating Characteristics

- Fog type lubrication with variable section orifice according to the flow.
- Body made with light alloy.
- Wall mounting possibility with M8 screws protected by covers.
- Light alloy bowl c/w level indicator connected to the body with bayonet cap and safety button.
- Transparent technopolymer sight dome with adjusting handle.
- Oil filling plug.
- Electrical connector for low level indication. Use the C1, C2 or C3 lead for connection (see section 6 "Sensor").

Technical characteristics

Connections	G 1"
Max working pressure (bar)	13 bar - 1.3 MPa
Temperature °C	50°C
Weight	gr. 1500
Indicative oil drip rate	1 drop every 300/600 NI
Oil type	FD22 - HG32
Bowl capacity	300 cm ³
Assembly position	Vertical
Wall fixing screw	M8
Min. operational flow at 6,3 bar	100 NI/min