

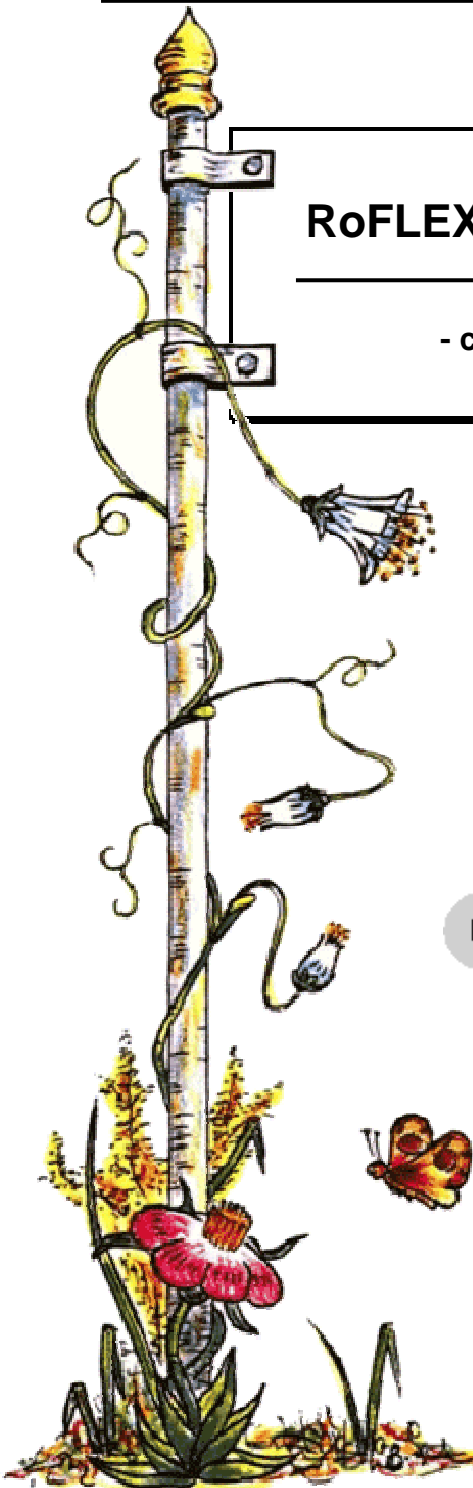
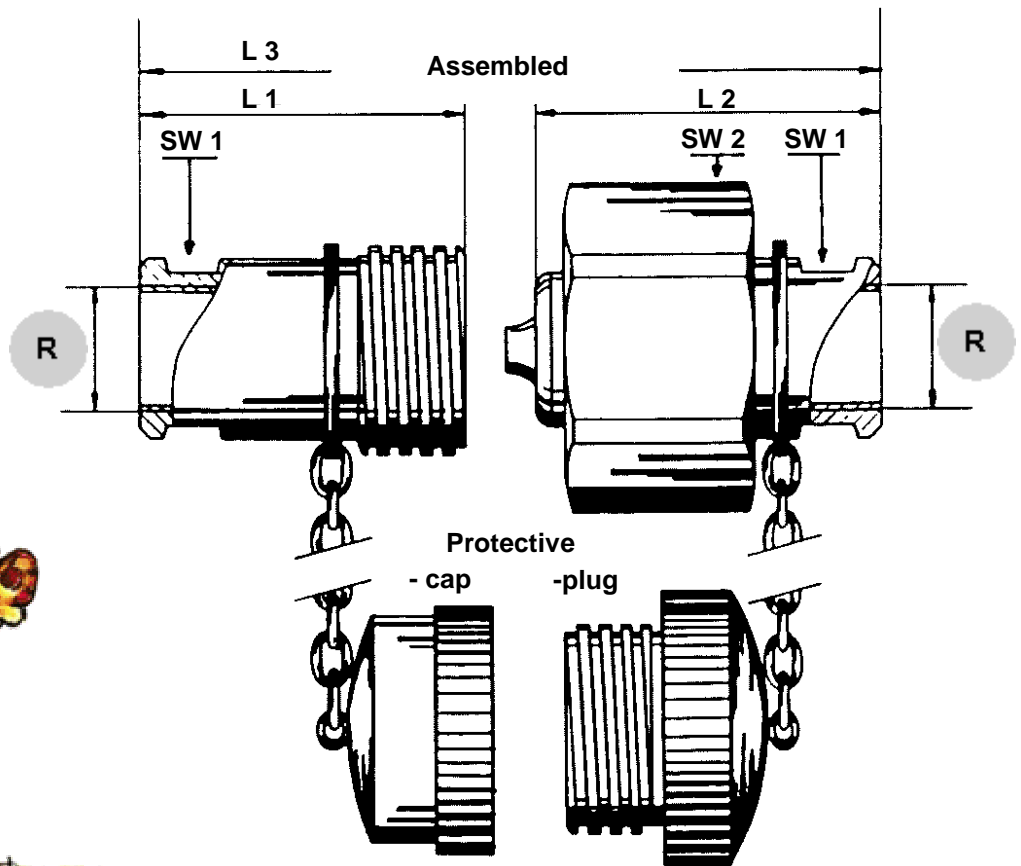


## RoFLEX - HIGH PRESSURE - SCREW COUPLINGS

- connectable and disconnectable under full pressure -

**Part "A"**  
(Aussengewinde)

**Part "S"**  
(Sechskantmutter)

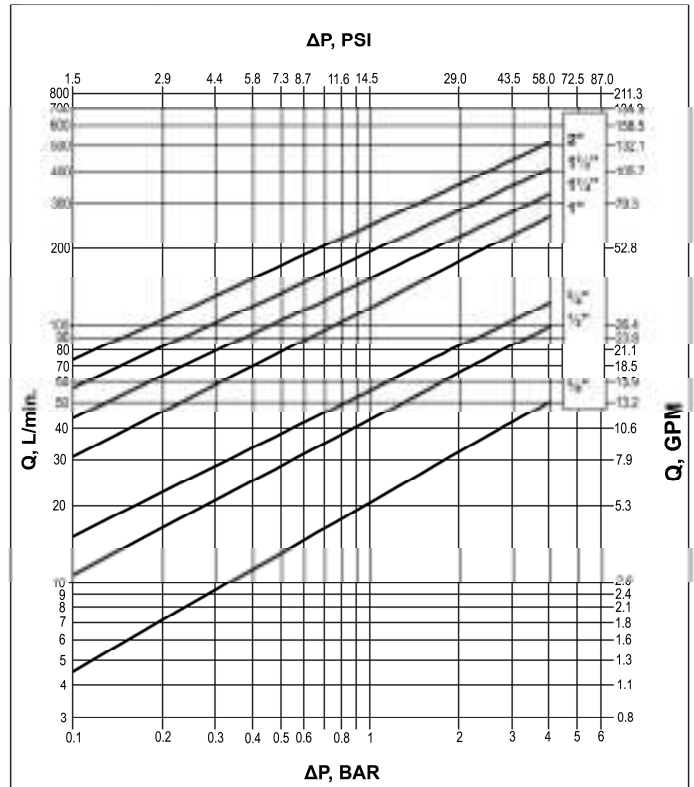


| RoFLEX<br>Thread size<br>R | L 1<br>mm | L 2<br>mm | L 3<br>mm | SW 1<br>mm | SW 2<br>mm | Minimum<br>flow area<br>mm <sup>2</sup> | L/Min.<br>@<br>2 Bar<br>ΔP | Working pressure<br>(security 4:1) |      |
|----------------------------|-----------|-----------|-----------|------------|------------|---|----------------------------|------------------------------------|------|
|                            |           |           |           |            |            |   |                            | Bar                                | PSI  |
| Ro 3/8"                    | 77        | 55        | 110       | 22         | 45         | 45                                      | 33                         | 500                                | 7250 |
| Ro 1/2"                    | 95        | 70        | 135       | 26         | 50         | 95                                      | 66                         | 450                                | 6520 |
| Ro 3/4"                    | 99        | 73        | 142       | 30         | 55         | 150                                     | 84                         | 400                                | 5800 |
| Ro 1"                      | 106       | 82        | 158       | 40         | 70         | 250                                     | 179                        | 350                                | 5070 |
| Ro 1 1/4"                  | 118       | 88        | 172       | 48         | 80         | 370                                     | 224                        | 320                                | 4640 |
| Ro 1 1/2"                  | 121       | 90        | 176       | 55         | 87         | 500                                     | 283                        | 300                                | 4350 |
| Ro 2"                      | 165       | 120       | 240       | 76         | 130        | 980                                     | 358                        | 250                                | 3620 |

## Pressure Drop Characteristics - ISO 7241 Part 2



Pressure Drop Characteristics



Copyright 2011 RoFLEX AG, Switzerland

| Delta P | Ro Designation BSP/R |         |         |       |           |           |       |
|---------|----------------------|---------|---------|-------|-----------|-----------|-------|
|         | Ro 3/8"              | Ro 1/2" | Ro 3/4" | Ro 1" | Ro 1.1/4" | Ro 1.1/2" | Ro 2" |
| 0.1     | 4.5                  | 10.8    | 15.2    | 30.8  | 43.7      | 57.0      | 73.3  |
| 0.3     | 9.3                  | 20.9    | 28.3    | 58.7  | 79.5      | 102.6     | 131.0 |
| 1       | 20.5                 | 43.2    | 56.1    | 118.8 | 153.2     | 195.2     | 247.7 |
| 2       | 32.3                 | 65.5    | 83.3    | 178.3 | 223.5     | 282.8     | 357.4 |
| 3       | 42.1                 | 83.6    | 104.9   | 226.1 | 278.7     | 351.2     | 442.9 |
| 4       | 50.8                 | 99.4    | 123.5   | 267.6 | 326.0     | 409.6     | 515.6 |
| 6       | 66.3                 | 126.9   | 155.6   | 339.3 | 406.7     | 508.8     | 639.0 |



ISO 7241 Part 2  
 Hydraulic Oil ISO 32  
 Temperature 40°C  
 Viscosity 32 cSt

## RoFLEX - HIGH PRESSURE - SCREW COUPLINGS

### - The Special Coupling with black caps and robust thread -

This coupling is specially designed to withstand above average vibrations and pressure on equipment such as hydraulic hammers, crushers ect. They are manufactured in 7 standard sizes:

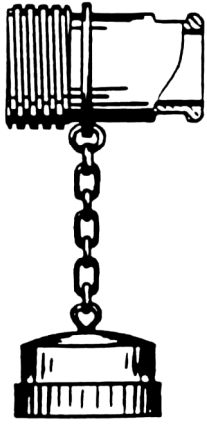
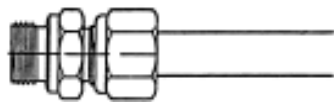
| RoFLEX<br>Thread size<br>BSPP / R | L / Min. @ 2 Bar ΔP |            |             | Working pressure<br>(security 4:1) |      |
|-----------------------------------|---------------------|------------|-------------|------------------------------------|------|
|                                   | UK Gallons          | US Gallons | Litres/min. | psi                                | bars |
| Ro 3/8"                           | 7.3                 | 8.8        | 33          | 7250                               | 500  |
| Ro 1/2"                           | 14.6                | 17.5       | 66          | 6520                               | 450  |
| Ro 3/4"                           | 18.5                | 22.2       | 84          | 5800                               | 400  |
| Ro 1"                             | 39.4                | 47.3       | 179         | 5070                               | 350  |
| Ro 1 1/4"                         | 49.3                | 59.2       | 224         | 4640                               | 320  |
| Ro 1 1/2"                         | 62.3                | 74.8       | 283         | 4350                               | 300  |
| Ro 2"                             | 78.8                | 94.6       | 358         | 3620                               | 250  |

In order to obtain the optimum working life of the coupling, it is important to observe the following two points:

1. Determine the correct size of coupling for your application. **DO NOT** use too small coupling sizes. Rather use one size bigger to avoid too much backpressure, too much oil heat ect., especially for the return line.
2. The assembled coupling (part no. 5007) should be lightly tightened, using the spanner (part no. 5003), so that the nut will not loosen under severe operating conditions, as for example with Hydraulic hammer.

If these two points are NOT followed as described, the VITON seal of the sealing valve could be damaged through excessive oil flow rates.

If there is chosen the right size of the coupling with the relevant oil flow rate, you will also have the corresponding Light- and Heavy series pipe sizes to suit the screw coupling:

| RoFLEX - Coupling<br>(for example part "A")   | Metric cutting ring connector<br>24°-cone / DIN 2353                                 | L<br>(Light-series)<br>mm | S<br>(Heavy-series)<br>mm |
|---|--|---------------------------|---------------------------|
|  |  | Ro 3/8"                   | Ø 12                      |
|   |  | Ro 1/2"                   | Ø 15 + 18                 |
|   |  | Ro 3/4"                   | Ø 22                      |
|   |  | Ro 1"                     | Ø 28                      |
|   |  | Ro 1 1/4"                 | Ø 35                      |
|   |  | Ro 1 1/2"                 | Ø 42                      |
|   |  | Ro 2"                     | Ø 50                      |
| for pipe connection   |  |                           |                           |

## Accessories for RoFLEX – HIGH PRESSURE - SCREW COUPLINGS



### Spanner (part no. 5003)

To prevent the nut loosening under severe vibrating conditions, it is essential, that the nut is lightly tightened using the special spanner provided:

| <u>Article no.</u> | <u>RoFLEX part no.</u> |
|--------------------|------------------------|
| 103540             | <b>5003 - 3/8"</b>     |
| 103541             | <b>5003 - 1/2"</b>     |
| 103542             | <b>5003 - 3/4"</b>     |
| 103543             | <b>5003 - 1"</b>       |
| 103544             | <b>5003 - 1 1/4"</b>   |
| 103545             | <b>5003 - 1 1/2"</b>   |
| 103546             | <b>5003 - 2"</b>       |

### Clamping device (part no. 5001)

The coupling should be held with the clamping device to prevent it from turning when screwing together the coupling parts "A" and "S". The same applies, when fitting the pipe connector to the coupling part "A" or "S":

| <u>Article no.</u> | <u>RoFLEX part no.</u> |
|--------------------|------------------------|
| 103533             | <b>5001 - 3/8"</b>     |
| 103534             | <b>5001 - 1/2"</b>     |
| 103535             | <b>5001 - 3/4"</b>     |
| 103536             | <b>5001 - 1"</b>       |
| 103537             | <b>5001 - 1 1/4"</b>   |
| 103538             | <b>5001 - 1 1/2"</b>   |
| 103539             | <b>5001 - 2"</b>       |

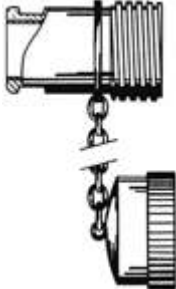




## RoFLEX - HIGH PRESSURE - SCREW COUPLINGS

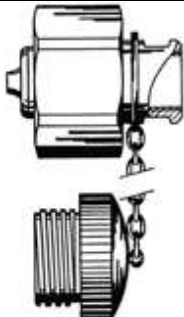
| Article-no. | RoFLEX-no.    |
|-------------|---------------|
| 103512      | 5005 - 3/8"   |
| 103513      | 5005 - 1/2"   |
| 103514      | 5005 - 3/4"   |
| 103515      | 5005 - 1"     |
| 103516      | 5005 - 1 1/4" |
| 103517      | 5105 - 1 1/2" |
| 103518      | 5005 - 2"     |

**5005**  
**Part "A"**  
 (Protective caps are included)



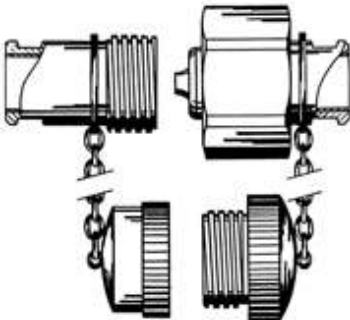
| Article-no. | RoFLEX-no.    |
|-------------|---------------|
| 103519      | 5006 - 3/8"   |
| 103520      | 5006 - 1/2"   |
| 103521      | 5006 - 3/4"   |
| 103522      | 5006 - 1"     |
| 103523      | 5006 - 1 1/4" |
| 103524      | 5006 - 1 1/2" |
| 103525      | 5006 - 2"     |

**5006**  
**Part "S"**  
 (Protective plugs are included)




| Article-no. | RoFLEX-no.    |
|-------------|---------------|
| 103526      | 5007 - 3/8"   |
| 103527      | 5007 - 1/2"   |
| 103528      | 5007 - 3/4"   |
| 103529      | 5007 - 1"     |
| 103530      | 5007 - 1 1/4" |
| 103531      | 5107 - 1 1/2" |
| 103532      | 5007 - 2"     |

**5007**  
**Complete ("A" + "S")**  
 (Protective caps and -plugs are included)




| Article-no. | RoFLEX-no.    |
|-------------|---------------|
| 103553      | 5008 - 3/8"   |
| 103554      | 5008 - 1/2"   |
| 103555      | 5008 - 3/4"   |
| 103556      | 5008 - 1"     |
| 103557      | 5008 - 1 1/4" |
| 103558      | 5008 - 1 1/2" |
| 103559      | 5008 - 2"     |

**5008**  
**Protective cap**  
 (for Part "A")





| Article-no. | RoFLEX-no.    |
|-------------|---------------|
| 103560      | 5009 - 3/8"   |
| 103561      | 5009 - 1/2"   |
| 103562      | 5009 - 3/4"   |
| 103563      | 5009 - 1"     |
| 103564      | 5009 - 1 1/4" |
| 103565      | 5009 - 1 1/2" |
| 103566      | 5009 - 2"     |


**5009**  
**Protective plug**  
 (for Part "S")





## Spare Parts for RoFLEX – HIGH PRESSURE - SCREW COUPLINGS

| Article-no. | RoFLEX-no.    | <div style="font-size: 48px; color: #90EE90;">5010</div> <p><b>O-ring</b><br/>(for Part "A")<br/><br/>(for Coupling 5005-1 1/2" use 5010-1 1/2")<br/>old version</p> |  |
|-------------|---------------|--|---|
| 103567      | 5010 - 3/8"   |  |   |
| 103568      | 5010 - 1/2"   |  |   |
| 103569      | 5010 - 3/4"   |  |   |
| 103570      | 5010 - 1"     |  |   |
| 103571      | 5010 - 1 1/4" |  |   |
| 103572      | 5110 - 1 1/2" |  |   |
| 103573      | 5010 - 2"     |  |   |


| Article-no. | RoFLEX-no.    | <div style="font-size: 48px; color: #90EE90;">5011</div> <p><b>Back-up ring</b><br/>(for Part "A")<br/><br/>(for Coupling 5005-1 1/2" use 5011-1 1/2")<br/>old version</p> |  |
|-------------|---------------|--|---|
| 103574      | 5011 - 1/2"   |  |   |
| 103575      | 5011 - 3/4"   |  |   |
| 103576      | 5011 - 1"     |  |   |
| 103577      | 5011 - 1 1/4" |  |   |
| 103578      | 5111 - 1 1/2" |  |   |
| 103579      | 5011 - 2"     |  |   |


| Article-no. | RoFLEX-no.    | <div style="font-size: 48px; color: #90EE90;">5012</div> <p><b>Sealing valve</b><br/>(for Part "A" + "S")</p> |  |
|-------------|---------------|---|---|
| 103580      | 5012 - 3/8"   |   |   |
| 103581      | 5012 - 1/2"   |   |   |
| 103582      | 5012 - 3/4"   |   |   |
| 103583      | 5012 - 1"     |   |   |
| 103584      | 5012 - 1 1/4" |   |   |
| 103585      | 5012 - 1 1/2" |   |   |
| 103586      | 5012 - 2"     |   |   |

| Article-no. | RoFLEX-no.    | <div style="font-size: 48px; color: #90EE90;">5013</div> <p><b>Spring</b><br/>(for Part "A" + "S")</p> |  |
|-------------|---------------|--|---|
| 103587      | 5013 - 3/8"   |  |   |
| 103588      | 5013 - 1/2"   |  |   |
| 103589      | 5013 - 3/4"   |  |   |
| 103590      | 5013 - 1"     |  |   |
| 103591      | 5013 - 1 1/4" |  |   |
| 103592      | 5013 - 1 1/2" |  |   |
| 103593      | 5013 - 2"     |  |   |

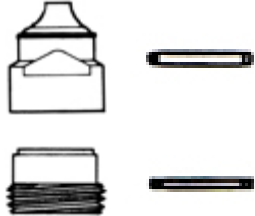
| Article-no. | RoFLEX-no.  | <div style="font-size: 48px; color: #90EE90;">5014</div> <p><b>"C" clip</b><br/>(only for 3/8")</p> |  |
|-------------|-------------|---|---|
| 103594      | 5014 - 3/8" |   |   |
|             |             |   |   |
|             |             |   |   |
|             |             |   |   |


## Spare Parts for RoFLEX – HIGH PRESSURE - SCREW COUPLINGS

| Article-no. | RoFLEX-no.    | <div style="font-size: 4em; color: #90EE90; opacity: 0.5;">5015</div> <p><b>Thread ring</b><br/>(for Part "A" + "S")</p> |  |
|-------------|---------------|--|---|
| 103605      | 5015 - 3/8"   |  |   |
| 103595      | 5015 - 1/2"   |  |   |
| 103596      | 5015 - 3/4"   |  |   |
| 103597      | 5015 - 1"     |  |   |
| 103598      | 5015 - 1 1/4" |  |   |
| 103599      | 5015 - 1 1/2" |  |   |
| 103600      | 5015 - 2"     |  |   |

| Article-no. | RoFLEX-no.  | <div style="font-size: 4em; color: #90EE90; opacity: 0.5;">5016</div> <p><b>Distance ring</b><br/>(for Part "A" + "S")<br/>(only for 3/8")</p> |  |
|-------------|-------------|--|---|
| 130601      | 5016 - 3/8" |  |   |
|             |             |  |   |
|             |             |  |   |
|             |             |  |   |

## Complete Sets for Reparation for RoFLEX – HIGH PRESSURE - SCREW COUPLINGS

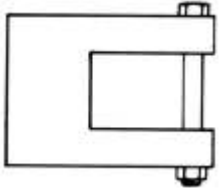
| Article-no. | RoFLEX-no.    | <div style="font-size: 4em; color: #90EE90; opacity: 0.5;">5033</div> <p><b>Repair-Set for Part "A"</b><br/>(5010, 5011, 5012, 5015)<br/>(Size 3/8" w/o back-up ring)</p> |  |
|-------------|---------------|---|---|
| 109806      | 5033 - 3/8"   |   |   |
| 109807      | 5033 - 1/2"   |   |   |
| 109808      | 5033 - 3/4"   |   |   |
| 109809      | 5033 - 1"     |   |   |
| 109810      | 5033 - 1 1/4" |   |   |
| 109811      | 5033 - 1 1/2" |   |   |
| 109812      | 5133 - 1 1/2" |   |   |
| 109813      | 5033 - 2"     |   |   |

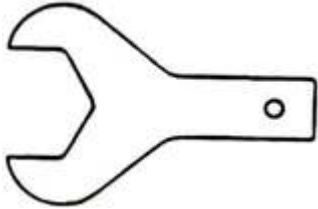
| Article-no. | RoFLEX-no.    | <div style="font-size: 4em; color: #90EE90; opacity: 0.5;">5034</div> <p><b>Repair-Set for Part "S"</b><br/>(5012, 5015)</p> |  |
|-------------|---------------|--|---|
| 109814      | 5034 - 3/8"   |  |   |
| 109815      | 5034 - 1/2"   |  |   |
| 109816      | 5034 - 3/4"   |  |   |
| 109817      | 5034 - 1"     |  |   |
| 109818      | 5034 - 1 1/4" |  |   |
| 109819      | 5034 - 1 1/2" |  |   |
| 109820      | 5034 - 2"     |  |   |

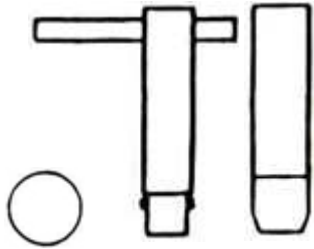
We stock a big variety of:

- Adaptors, Pipe fittings, SAE-Flanges, Bonded Seals, Hose Fittings, Hydraulic hoses ect.
- Our Speciality: Welding Fittings for Pipe diameter 50 mm.....at a working pressure of 400 bars (40 Mpa)

## Accessories for RoFLEX – HIGH PRESSURE - SCREW COUPLINGS

| Article-no. | RoFLEX-no.    | <div style="font-size: 4em; color: #90EE90; opacity: 0.5; position: absolute; top: 50%; left: 50%; transform: translate(-50%, -50%);">5001</div> <p><b>Clamping device to weld on</b><br/>(for Part "A" + "S")</p> |  |
|-------------|---------------|--|---|
| 103533      | 5001 - 3/8"   |  |   |
| 103534      | 5001 - 1/2"   |  |   |
| 103535      | 5001 - 3/4"   |  |   |
| 103536      | 5001 - 1"     |  |   |
| 103537      | 5001 - 1 1/4" |  |   |
| 103538      | 5001 - 1 1/2" |  |   |
| 103539      | 5001 - 2"     |  |   |

| Article-no. | RoFLEX-no.    | <div style="font-size: 4em; color: #90EE90; opacity: 0.5; position: absolute; top: 50%; left: 50%; transform: translate(-50%, -50%);">5003</div> <p><b>Spanner</b><br/>(for Part "S")</p> |  |
|-------------|---------------|---|--|
| 103540      | 5003 - 3/8"   |   |  |
| 103541      | 5003 - 1/2"   |   |  |
| 103542      | 5003 - 3/4"   |   |  |
| 103543      | 5003 - 1"     |   |  |
| 103544      | 5003 - 1 1/4" |   |  |
| 103545      | 5003 - 1 1/2" |   |  |
| 103546      | 5003 - 2"     |   |  |

| Article-no. | RoFLEX-no.    | <div style="font-size: 4em; color: #90EE90; opacity: 0.5; position: absolute; top: 50%; left: 50%; transform: translate(-50%, -50%);">5004</div> <p><b>Tool set</b><br/>(for Part "A" + "S")</p> |  |
|-------------|---------------|--|---|
| 108535      | 5004 - 3/8"   |  |   |
| 103547      | 5004 - 1/2"   |  |   |
| 103548      | 5004 - 3/4"   |  |   |
| 103549      | 5004 - 1"     |  |   |
| 103550      | 5004 - 1 1/4" |  |   |
| 103551      | 5004 - 1 1/2" |  |   |
| 103552      | 5004 - 2"     |  |   |

### Mounting examples for RoFLEX-Couplings:





**NEW**

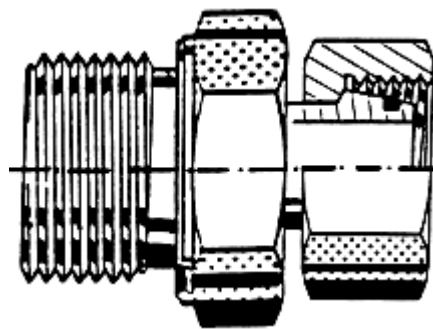
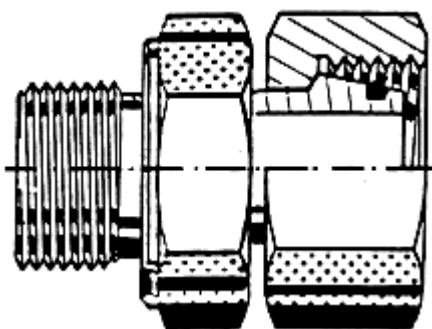
**Speciality by RoFLEX**

**NEW**

We are pleased to introduce to you the following new type of fitting by RoFLEX:

**Metric pipe fittings with 24°-cone and O-ring seal, straight with BSP Male thread and U-ring seal, REDUCTION**

**RoFLEX no. 514 REDUCED (EGE-R-UR)**

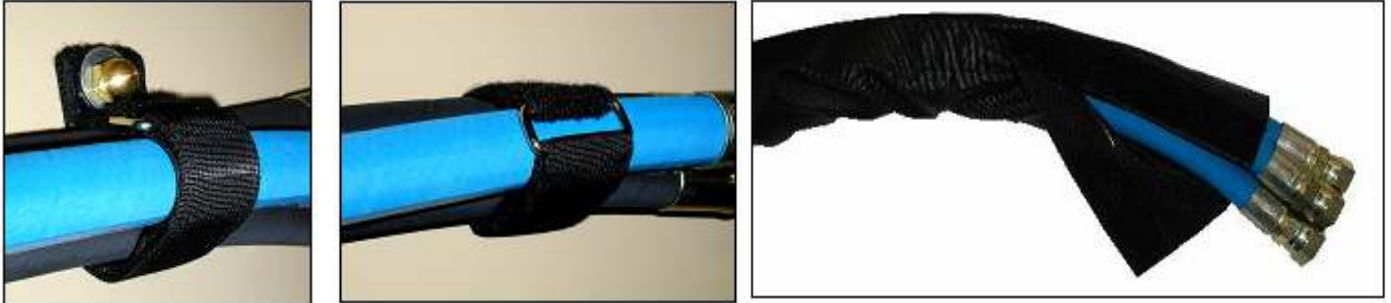


| RoFLEX-no.       | Pipe-Ø / S (Heavy series) | Thread size |
|------------------|---------------------------|-------------|
| 514-12 SR 1/2"   | 12 S                      | R 1/2"      |
| 514-16 SR 3/8"   | 16 S                      | R 3/8"      |
| 514-16 SR 3/4"   | 16 S                      | R 3/4"      |
| 514-20 SR 1/2"   | 20 S                      | R 1/2"      |
| 514-20 SR 1"     | 20 S                      | R 1"        |
| 514-25 SR 3/4"   | 25 S                      | R 3/4"      |
| 514-25 SR 1 1/4" | 25 S                      | R 1 1/4"    |
| 514-30 SR 1"     | 30 S                      | R 1"        |
| 514-30 SR 1 1/2" | 30 S                      | R 1 1/2"    |
| 514-38 SR 1 1/4" | 38 S                      | R 1 1/4"    |

## Our protective Sleeves

### COBRA-Sleeve & Straps™ – THE Sleeve with hook & loop system

Made out of ballistic Nylon with Urethan-Cover \*Protection against abrasion\*Reusable\*Sturdy\*Flexible



### BOA-Sleeve™ – Plastic Hose-Protection in Black and Yellow



### +++ NEW VIPER-Sleeve™ – THE „Line of Sight“-Sleeve NEW +++

Protects people, machines and environment against hydraulic hose failure by containing pressure and hydraulic fluids during a hose burst or pinhole leak.

Our **VIPER-Sleeve™** meets the high Standards as following:

EN982, ISO Norm 833, EN414:2000, ISO 3457, MDG41, EN500-1, MSHA approved as well as for EU-Standards for Machines by 2006/42/EC und NSW (Standards for Mines)



### ANACONDA™ – Hose protection in Steel (RoFLEX-Nr. 3881)

Flat Steel-Protection, galvanised for Hydraulic Hoses  
Standard length = 10 m

